



CORMIDI



C35-C40

SPECIFICATIONS

ENGINE

	METRIC	U.S.	35	40
Gas	Briggs & Stratton 5 550 4 hp		•	•
	Honda Gx 160 5 hp		•	•

TRANSMISSION

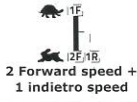
Type	mechanical		
Forward low	Yes	•	•
Forward high	Yes	•	•
Reverse	Yes	•	•

UNDERCARRIAGE

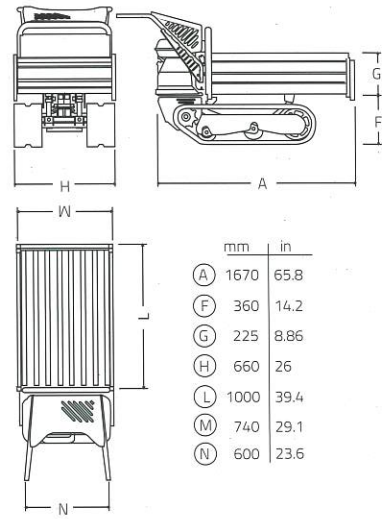
Crawler width	180 mm (7.1 in)	•	•
Track roller with grease	2	•	•
Automatic track tensioning spring	Yes	•	•

PERFORMANCE AND DIMENSIONS

Performance and dimensions			
Max. Travel Speed	3.9 Km/h (2.4 mph)	•	•
Dry Weight	193 Kg (425.5 lb)	•	•
	195 Kg (430 lb)	•	•
Operating Weight	350 kg (772 lb)	•	•
	400 kg (882 lb)	•	•



35 40



C55 NEW MODEL

SPECIFICATIONS

ENGINE

	METRIC	U.S.	RI	AC	HI	HIAC
Gas	Honda GX 200 6.5 hp		•	•	•	•

TRANSMISSION

Type	Hydrostatic	•	•	•	•
Hydraulic pump	Gear pump	•	•	•	•

UNDERCARRIAGE

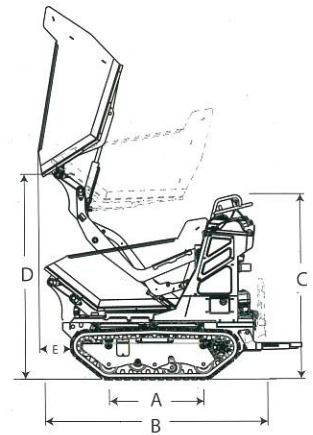
Crawler width	180 mm (7.1 in)	•	•	•	•
Rocking Rollers	4	•	•	•	•

HYDRAULIC SYSTEM

Hydraulic pump	Oil Cooled	•	•	•	•
Flow std	n° 3 Gear pump double speed 34 lt/min (8.98 gpm) 210 bar	•	•	•	•

PERFORMANCE AND DIMENSIONS

Max. Travel Speed	2.9 Km/h (1.80 mph)	•	•	•	•
Operating Weight	550 kg (1212.54 lb)	•	•	•	•
	458 kg (1009.8 lb)	•	•	•	•
Dry Weight	501 kg (1104.5 lb)	•	•	•	•
	547 kg (1205.9 lb)	•	•	•	•
	623 kg (1373.5 lb)	•	•	•	•



	mm	in
A	710	27.95
B	1670	65.75
C	1388	54.65
D	1540	60.63
E	214	8.43
F	716	28.19

C60

SPECIFICATIONS

ENGINE

	METRIC	U.S.	DE	BE
Gas	Honda GX 270 9 hp		•	•
Diesel	Yanmar LA 70 6,6 hp		•	•

TRANSMISSION

Type	Hydrostatic	•	•
Hydraulic pump	n° 3 Gear pump	•	•

TRACKS

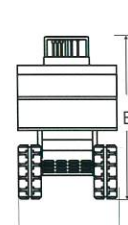
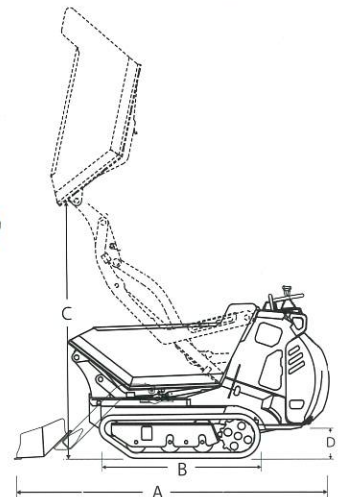
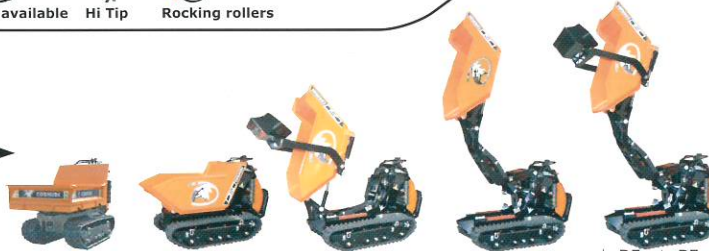
Stand. tracks width	180 mm (7.1 in)	•	•
Rocking Rollers	2	•	•

HYDRAULIC SYSTEM

Hydraulic pump	Oil Cooled	•	•
Flow std	Gear pump	•	•
Flow std	1x13l/min (1x3.4 gpm)	•	•
Hi-Flow	1x16l/min (1x4.2 gpm)	•	•
Flow std	1x16 l/min (1x4.2 gpm)	•	•
Max pressure	175 bar (2550 psi)	•	•
Max pressure	170 bar (2466 psi)	•	•

PERFORMANCE AND DIMENSIONS

Max. Travel Speed	approx 0-3.6 Km/h (0-2.3 mph)	•	•
Dry Weight	(RI 410 kg - 904 lb)(HI TIP 535 kg 1180 lb)	•	•
Operating Weight	600 kg (1320 lb)	•	•



	mm	in
A	2229	87.7
B	1320	51.97
C	1700	66.93
D	285	11.22
E	1155	45.47
F	695	27.36

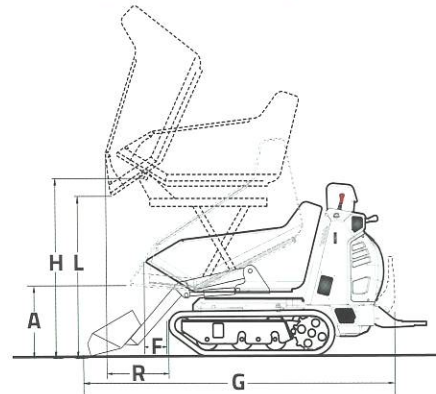
Battery version

C85-E



SPECIFICATIONS

	METRIC U.S.	C85-E
ENGINE		
Power 100%	5500 w	●
Power peak	6500 w	●
Voltage	24VAC	●
Current	414 AH	●
Can bus technology	Yes	●
UNDERCARRIAGE		
Type	Hydrostatic	●
Hydraulic pump	2 variable pistons pumps	●
UNDERCARRIAGE		
Crawler width	180 mm (7.1 in)	●
Rocking Rollers	2x2	●
HYDRAULIC SYSTEM		
Hydraulic pump	Oil Cooled Gear Pump	●
Flow std	1x7 l/min (1x1.84 gpm)	●
Max pressure	150 bar (2180 psi)	●
PERFORMANCE AND DIMENSIONS		
Setting display touch screen	Yes	●
Max. Travel Speed	(4,5 Km/h)(2,79 mph)	●
Operating Weight	800 kg (1762 lb)	●
Dry Weight	from 511 kg/1127 lb to 800 kg/1764 lb	●
Gross capacity	0,28 m³(0,37 yd³) 0,53 m³ (0,69 yd³)	●
Parking brake	Yes	●
BATTERY		
Capacity	11,8 kw	●
Volt	24	●
Type	LiFe PO4	●
Duty Cycle life	>3000	●
Can Bus technology	Yes	●
CHARGER BATTERY		
Single-phase 220/110 V	5 hr (100%)	●
Three-phase system 380 V	2,5 hr (100%)	●



	mm	in...
(A)	620	24.2
(B)	1336	52.6
(G)	2595	102.2
(I)	835	32.9
(H)	1500	59.1
(L)	1345	53.0
(F)	260	10.2
(R)	830	32.7



Polypropylene

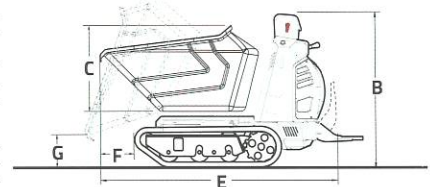
C85 POLY



SPECIFICATIONS

	METRIC U.S.	10.85	13.85	14.85
ENGINE				
Gas	Honda Gx 390 13 hp		●	
Diesel	Yanmar LN 100 AE 10 hp Kubota 14 hp	●		●
TRANSMISSION				
Type	Hydrostatic	●	●	●
Hydraulic pump	2 variable pistons pumps	●	●	●
UNDERCARRIAGE				
Crawler width	180 mm (7.1 in)	●	●	●
Rocking Rollers	2x2	●	●	●
HYDRAULIC SYSTEM				
Hydraulic pump	Oil Cooled Gear Pump	●	●	●
Flow std	1x14,1 l/min (1x3,7 gpm) 1x12,6 l/min (1x3,3 gpm)	●	●	●
Hi-Flow	1x22,4 l/min (1x5,9 gpm) 1x19,9 l/min (1x5,3 gpm)	●	●	●
Max pressure	150 bar (2180 psi)	●	●	●
PERFORMANCE AND DIMENSIONS				
Max. Travel Speed	(5 Km/h)(3.1 mph) (6 Km/h)(3.7 mph)	●		-
Dry Weight	from 568 kg/1252 lb to 616kg/1358 lb	●	●	●
Operating Weight	800 kg (1762 lb)	●	●	●
Gross capacity	Polypropylene 0,53 m³(0,69 yd³)	●	●	●
Parking brake	Yes	●	●	●

POLYPROPYLENE



	mm	in
(A)	777	28.8
(B)	1336	52.6
(C)	730	29.1
(D)	810	31.9
(E)	1900	74.8
(F)	280	11.0
(G)	255	10.0



C85



SPECIFICATIONS

METRIC | U.S.

10.85 | 13.85 | 14.85

ENGINE

Gas	Honda Gx 390 13 hp			
Diesel	Yanmar LN 100 AE 10 hp	•	•	
	Kubota 14 hp			•

TRANSMISSION

Type	Hydrostatic	•	•	•
Hydraulic pump	2 variable pistons pumps	•	•	•

UNDERCARRIAGE

Crawler width	180 mm (7.1 in)	•	•	•
Rocking Rollers	2x2	•	•	•

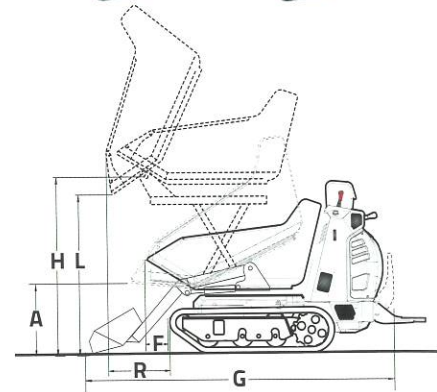
HYDRAULIC SYSTEM

Hydraulic pump	Oil Cooled Gear Pump	•	•	•
Flow std	1x14.1 l/min (1x3.7 gpm)	•	•	•
	1x12.6 l/min (1x3.3 gpm)	•	•	•
Hi-Flow	1x22.4 l/min (1x5.9 gpm)	•	•	•
	1x19.9 l/min (1x5.3 gpm)	•	•	•

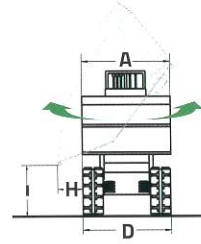
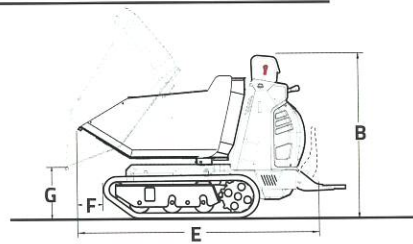
Max pressure	150 bar (2180 psi)	•	•	•
--------------	--------------------	---	---	---

PERFORMANCE AND DIMENSIONS

Max. Travel Speed	(5 Km/h)(3.1 mph)	•		
	(6 Km/h)(3.7 mph)		•	
Dry Weight	from 568 kg/1252 lb to 616kg/1358 lb	•	•	•
Operating Weight	800 kg (1762 lb)	•	•	•
Gross capacity	0.28 m³(0.37 yd³) 0.53 m³ (0.69 yd³)	•	•	•
Parking brake	Yes	•	•	•



	mm	in
(A)	620	24.2
(B)	1336	52.6
(G)	2595	102.2
(I)	835	32.9
(H)	1500	59.1
(L)	1345	53.0
(F)	260	10.2
(R)	830	32.7



	mm	in	mm	in
(A)	780	30.7	(F)	300 11.8
(B)	1336	52.6	(G)	570 22.4
(D)	810	31.9	(H)	270 10.6
(E)	1950	76.8	(I)	570 22.4

C200



SPECIFICATIONS

METRIC | U.S.

200

ENGINE

Diesel	Yanmar 3TNV82 31 hp	•
--------	---------------------	---

TRANSMISSION

Type	Hydrostatic	•
Hydraulic pump	2x variable displ	•

UNDERCARRIAGE

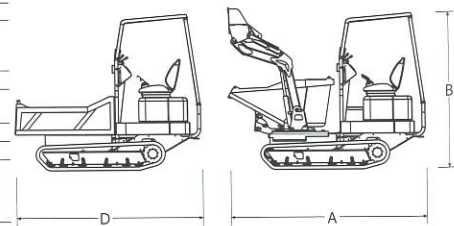
Crawler width	280 mm (11 in)	•
Rocking Rollers	Yes	•

HYDRAULIC SYSTEM

Hydraulic pump	Oil Cooled Gear pump	•
Flow std	1x33 l/min (1x8.7 gpm)	•
Max pressure	170 bar (2470 psi)	•

PERFORMANCE AND DIMENSIONS

Max. Travel Speed	0-7.5 km/h (0-4.7 mph)	•
Dry Weight	1400 kg (3084 lb) to/a 1900 kg (4185 lb)	•
Operating Weight	2000 kg (4409 lb)	•



	mm	in
(A)	2900	114,17
(D)	2800	110,24
(B)	2350	92,52
(C)	1260	49,61



CMF



Quick Attach System



HOW TO INSTALL THE ATTACHMENT



SPECIFICATIONS

METRIC | U.S.

ENGINE

Diesel Kubota D1105 25 hp TIER 4
Kubota D1305 25 hp TIER 4
Yanmar 3TNF80 24 hp TIER 4

TRANSMISSION

Type Hydrostatic
Hydraulic pump 2 variable piston pumps 83.2 lt/min 365bar (21.9 gpm 5230 psi)
2 variable piston pumps 93 lt/min 365bar (24.6 gpm 5234 psi)

UNDERCARRIAGE

Crawler width 180 mm (7.1 in)
200 mm (7.9 in)
230 mm (9.1 in)
Track roller with grease n°5

HYDRAULIC SYSTEM

Oil Cooled
Hydraulic pump Gear pump
Flow std (Spec 1 - Spec 2) 1x26 l/min 165 bar (1x6.9 gpm 2393 psi)
1x27 l/min 200 bar (1x7.1 gpm 2901 psi)

HYDRAULIC SYSTEM WITH HI FLOW

Hydraulic pump 2x Piston pumps
Hi-Flow 1x36 l/min 240 bar / (1x9.5 gpm 3481 psi)
1x46 l/min 260 bar / (1x12.2 gpm 3771 psi)
1x52 l/min 260 bar / (1x13.7 gpm 3771 psi)

ADDITIONAL HYD OUTPUT

spec-1 n° 2
spec-2 n° 5
spec-3 n° 5

PERFORMANCE AND DIMENSIONS

Max. Travel Speed 6,9 Km/h (4.3 mph)
7,6 Km/h (4.7 mph)
Dry Weight 775 Kg (1701 lb)
795 Kg (1753 lb)
850 Kg (1774 lb)
870 Kg (1918 lb)
890 Kg (1962 lb)
895 Kg (1973 lb)
910 Kg (2006 lb)
919 kg (2027 lb)
Parking brake yes
Cruise control yes

	available for:							
	1150	1200 K	1200 Y	1300	1350	1400 Y	1500	1600
	1150 kg 2535 lb	1200 kg 2646 lb	1200 kg 2646 lb	1300 kg 2866 lb	1350 kg 2976 lb	1400 kg 3087 lb	1500 kg 3307 lb	1600 kg 3527 lb
USA	•	•						
UK	•	•						
Canada			•					
Australia				•				
France					•			
Germany						•		
Italy							•	
Spain								•
Japan								•
China								•
India								•
South Africa								•
Sweden								•
Denmark								•
Norway								•
Finland								•
Poland								•
Czech Republic								•
Slovakia								•
Slovenia								•
Croatia								•
Serbia								•
Bulgaria								•
Romania								•
Hungary								•
Greece								•
Turkey								•
Ukraine								•
Belarus								•
Latvia								•
Lithuania								•
Estonia								•
Belgium								•
Netherlands								•
Germany								•
France								•
Spain								•
Italy								•
China								•
India								•
Japan								•
USA								•
UK								•
Canada								•
Australia								•
France								•
Germany								•
Italy								•
Spain								•
China								•
India								•
Japan								•
USA								•
UK								•
Canada								•
Australia								•
France								•
Germany								•
Italy								•
Spain								•
China								•
India								•
Japan								•
USA								•
UK								•
Canada								•
Australia								•
France								•
Germany								•
Italy								•
Spain								•
China								•
India								•
Japan								•
USA								•
UK								•
Canada								•
Australia								•
France								•
Germany								•
Italy								•
Spain								•
China								•
India								•
Japan								•
USA								•
UK								•
Canada								•
Australia								•
France								•
Germany								•
Italy								•
Spain								•
China								•
India								•
Japan								•
USA								•
UK								•
Canada								•
Australia								•
France								•
Germany								•
Italy								•
Spain								•
China								•
India								•
Japan								•
USA								•
UK								•
Canada								•
Australia								•
France								•
Germany								•
Italy								•
Spain								•
China								•
India								•
Japan								•
USA								•
UK								•
Canada								•
Australia								•
France								•
Germany								•
Italy								•
Spain								•
China								•
India								•
Japan								•
USA								•
UK								•
Canada								•
Australia								•
France								•
Germany								•
Italy								•
Spain								•
China								•
India								•
Japan								•
USA								•
UK								•
Canada								•
Australia								•
France								•
Germany								•
Italy								•
Spain								•
China								•
India								•
Japan								•
USA								•
UK								•
Canada								•
Australia								•
France								•
Germany								•
Italy								•
Spain								•
China								•
India								•
Japan								•
USA								•
UK								•
Canada								•
Australia								•
France								•
Germany								•
Italy								•
Spain								•
China								•
India								•
Japan								•
USA								•
UK								•
Canada								•
Australia								•
France								•
Germany								•
Italy								•
Spain								•
China								•
India								•
Japan								•
USA								•
UK								•
Canada								•
Australia								•
France								•
Germany								

CMF

ONE MACHINE, 100 CONFIGURATIONS



Attachments available for CMF:



Available on request on the CMF range



